

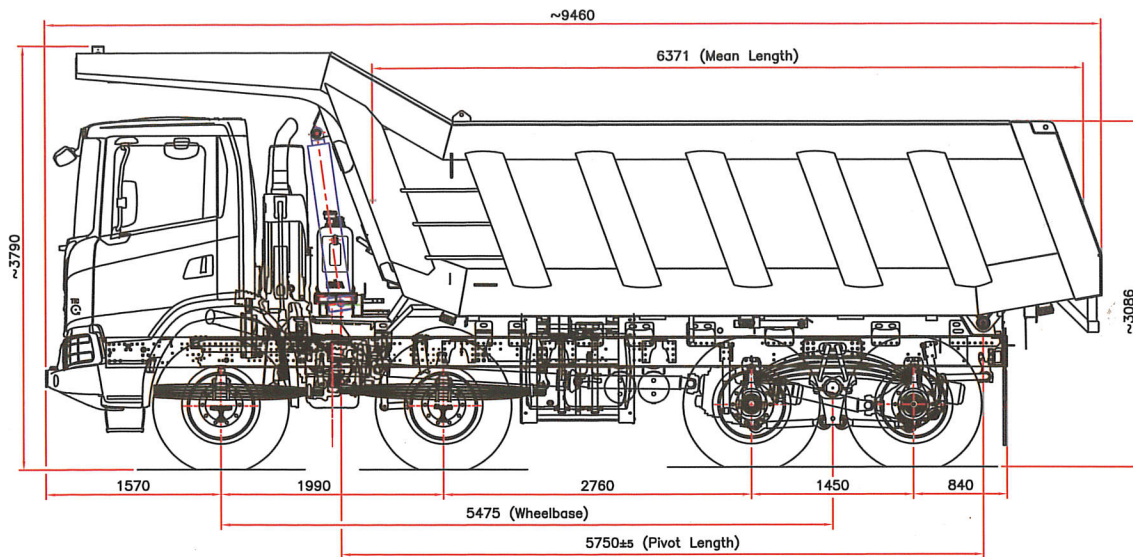


G 440 XT 8X4 HEAVY TIPPER

23 CU.M ROCK BODY



SCANIA



All dimensions are in mm

DIMENSIONS

Wheel base.....	5,475 mm
Overall length.....	9,233 mm
Overall width.....	2,600 mm
Overall height.....	3,800 mm
Bogie distance.....	1,450 mm

WEIGHTS

LADEN CHASSIS WEIGHT WITH BODY (As per CMVR)

Front axle.....	14,000 kg
Rear axle.....	21,000 kg
Total	35,000 kg

ENGINE DC13 151 / 440 hp

Type.....	Inline Engine
No. of Cylinders.....	6 Cylinders
Engine Displacement.....	12.7 litres
Max. Power.....	440 hp @ 1,900 rpm
Max. Torque....	2,300 Nm @ 1,000 - 1,300 rpm
Injection system...	Unit PDE Injection System
Emission norms.....	Euro 4 / BS IV

CLUTCH

Clutch Type.....	Single dry plate clutch
Clutch Actuation.....	Electro hydraulic
Clutch plate Diameter.....	430 mm

GEARBOX GRS0935

Type.....	Range Splitter gearbox with Overdrive
Gear shift program.....	Scania opticruise with lay shaft brake
No. of Gears.....	14F + 2R
Crawler Gear.....	2 Numbers
Oil cooler for Gearbox.....	Liquid cooled oil cooler

FUEL TANK

Type.....	Steel Fuel tank
Capacity.....	380 L

SUSPENSION

FRONT

Type.....	Parabolic
No. of leaf springs	5 no's with heavy duty hydraulic shock absorbers and Anti roll bar

REAR

Type.....	Parabolic extra wide bogie suspension
No. of leaf springs	5 no's with heavy duty Anti roll bar

AXLES

FRONT

Forged I beam reverse Elliot high mounted axle

REAR

Tandem bogie axle with Hub reduction Ratio 7.63:1

BRAKES

Dual circuit pneumatic drum brakes
Automatic Slack adjusters
Anti lock braking system
Traction control system
Manual & Automatic exhaust brake control with two step operation.

TYRES & RIMS

Wheel rim.....	Steel disc type
Rim Size.....	8.5 x 24
Tyre Size.....	12 x 24, 20PR
One complete spare wheel rim and tyre provided	

ELECTRICAL SYSTEM

Voltage.....	2 x 12 V
Battery Capacity.....	140 Ah
Alternator.....	100 A

STEERING SYSTEM

Hydraulic power assisted steering wheel	
Steering wheel dia.....	450 mm
Pneumatically Adjustable Steering wheel	
Angle.....	0-52 degrees
Height.....	80 mm

CABIN CG 14L

INTERIORS

Air Conditioned Cabin
Engine hour meter Analogue
Instrument Cluster features

- Fuel consumption display
- Trip meter
- PTO hour Indicator
- Engine hour Indicator
- Idle hour Indicator
- Scania Driver support system
- Auto engine shut down

EXTERIORS

Tinted Windscreen
Heavy duty steel bumper - 40 Ton
4 point suspension
End outline Marker lamps

TIPPER BODY

Option 1: Rock Body for Overburden*

Volume.....	23 Cu.m
Mean length.....	6,371 mm
Width.....	2,584 mm
Height.....	1,525 mm
Body Material.....	WRS 450
Tipping angle.....	49 degrees
Hydraulic cylinder ¹	Hyva FE169-4
Oil tank capacity.....	110 L

Option 2: Exhaust Heated Body

Volume.....	22 Cu. m
Mean length.....	6,195 mm
Width.....	2,600 mm
Height.....	1,500 mm
Body Material.....	WRS 450
Tipping angle.....	49 degrees
Hydraulic cylinder ¹	Hyva FE169-4
Oil tank capacity.....	110 L

* Rock Body available in clad option
¹ Hydraulic Kit options available

Scania CV India Pvt Ltd
Plot No. 64-66, Narsapura
KIADB Industrial Area,
Achhatahalli Village,
Narsapura Hobli, Taluk/District - Kolar,
Karnataka - 563 133, India
Website : www.scania.com
Tel : +91 80-8152288300

L&T Construction & Mining Machinery
Larsen & Toubro Limited
Lakshminarayan Complex (1st Floor)
10/1 Palace Road,
Bangalore - 560 052
Tel : 080 4040 1700 / 1813
Tel : 080 2225 0309
Email : pro.psd@larsentoubro.com

Edition 2019.06 ref001 @ Scania CV IN

Note : The specifications / images shown here are indicative and are subject to change without prior notice



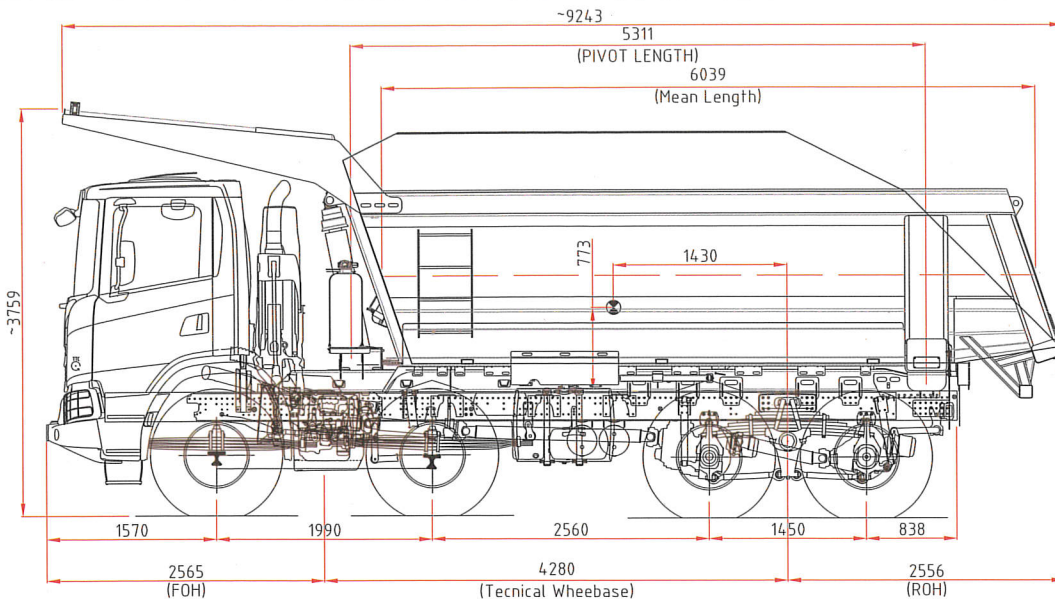


G 440 XT 8X4 TIPPER

20.2 CU.M ROCK BODY



SCANIA



All dimensions are in mm

DIMENSIONS

Wheel base.....	5,275 mm
Overall length.....	9,243 mm
Overall width.....	2,600 mm
Overall height.....	3,759 mm
Bogie distance.....	1,450 mm

WEIGHTS

LADEN CHASSIS WEIGHT WITH BODY (As per CMVR)

Front axle.....	14,000 kg
Rear axle.....	21,000 kg
Total	35,000 kg

ENGINE DC13 151 / 440 hp

Type.....	Inline Engine
No. of Cylinders.....	6 Cylinders
Engine Displacement.....	12.7 litres
Max. Power.....	440 hp @ 1,900 pm
Max. Torque... 2,300 Nm @ 1,000 - 1,300 rpm	
Injection system... Unit PDE Injection System	
Emission norms.....	Euro 4 / BS IV

CLUTCH

Clutch Type.....	Single dry plate clutch
Clutch Actuation.....	Electro hydraulic
Clutch plate Diameter.....	430 mm

GEARBOX GRSO925

Type.....	Range Splitter gearbox with Overdrive
Gear shift program.....	Scania optiscruise with lay shaft brake
No. of Gears.....	14F + 2R
Crawler Gear.....	2 Numbers
Oil cooler for Gearbox.....	Liquid cooled oil cooler

FUEL TANK

Type.....	Steel Fuel tank
Capacity.....	380 L

SUSPENSION

FRONT

Type.....	Parabolic
No. of leaf springs	4 no's with heavy duty hydraulic shock absorbers and Anti roll bar

REAR

Type.....	Trapezoidal bogie suspension
No. of leaf springs	8 no's with heavy duty Anti roll bar

AXLES

FRONT

Forged I beam reverse Elliot high mounted axle

REAR

Tandem bogie axle with Hub reduction Ratio 7.63:1

BRAKES

Dual circuit pneumatic drum brakes
Automatic Slack adjusters
Anti lock braking system
Traction control system
Manual & Automatic exhaust brake control

TYRES & RIMS

Wheel rim.....	Steel disc type
Rim Size.....	8.5 x 24
Tyre Size.....	12x24, 18PR
One complete spare wheel rim and tyre provided	

ELECTRICAL SYSTEM

Voltage.....	2 x 12 V
Battery Capacity.....	140 Ah
Alternator.....	100 A

STEERING SYSTEM

Hydraulic power assisted steering wheel	
Steering wheel dia.....	450 mm
Pneumatically Adjustable Steering wheel Angle.....	0-52 degrees
Height.....	80 mm

CABIN CG 14L

INTERIORS

Air Conditioned Cabin
Engine hour meter Analogue
Instrument Cluster features

- Fuel consumption display
- Trip meter
- PTO hour Indicator
- Engine hour Indicator
- Idle hour Indicator
- Scania Driver support system
- Auto engine shutdown

EXTERIORS

Tinted Windscreen
Heavy duty steel bumper - 40 Ton
4 point suspension
End outline Marker lamps

TIPPER BODY

Option 1: U Body for Overburden*

Volume.....	20.2 Cu.m
Mean length.....	6,039 mm
Width.....	2,500 mm
Height.....	1,769 mm
Body Material.....	Hardox 450
Tipping angle.....	51 degrees
Hydraulic cylinder ¹	Hyva FE169-4
Oil tank capacity.....	110 L

Option 2: Box Body for Infrastructure

Volume.....	22 Cu. m
Mean length.....	5,690 mm
Width.....	2,570 mm
Height.....	1,640 mm
Body Material.....	Steel 450 N / mm ²
Tipping angle.....	50 degrees
Hydraulic cylinder ¹	Hyva FE157-4
Oil tank capacity.....	80 L

* Rock Body available in cladded option

¹ Hydraulic Kit options available

Scania CV India Pvt Ltd
Plot No. 64-66, Narsapura
KIADB Industrial Area,
Achhatahalli Village,
Narsapura Hobli, Taluk/District - Kolar,
Karnataka - 563 133, India
Website : www.scania.com
Tel : +91 80-8152288300

L&T Construction & Mining Machinery
Larsen & Toubro Limited
Lakshminarayan Complex (1st Floor)
10/1 Palace Road,
Bangalore - 560 052
Tel : 080 4040 1700 / 1813
Tel : 080 2225 0309
Email : pro.psd@larsentoubro.com